

DS60 Series Machine I/O

High Reliability & Compact DeviceNet™ Distributed I/O



The perfect distributed I/O for DeviceNet applications within small budget !

- Cost-effective I/O product line for light industrial and commercial automation
- Expandable up to 3 discrete expansion blocks (Max. 80 points)
- Wide breadth of I/O types that can handle diverse applications
- DeviceNet is a simple, open networking solution that reduces the cost and time to wire and install industrial automation devices, while providing interchangeability of like components from multiple vendors.

• Features

- DeviceNet is a low-cost communication link to connect industrial devices.
- Cost-effective distributed I/O solution
- Easy to work with RTB (Removable Terminal Block)
 - 32-Point : RTB is default
 - 16-Point : Terminal Block
- Universal sink and source inputs reduce the number of components to stock and allow flexibility of input types.
- Units are compatible with a broad range of sensors.
- Selectable termination types - removable D-shell and fixed-screw termination - are available.
- Supports 3 expansion units (Max. 80 Points)
- For real-time control data exchange in a variety of methods. (Polling, COS, Cyclic and Strobe)
- Units mount horizontally or vertically on a DIN rail
- Units are UL/cUL-listed and CE-certified.
- ODVA Certified

DS60 Series

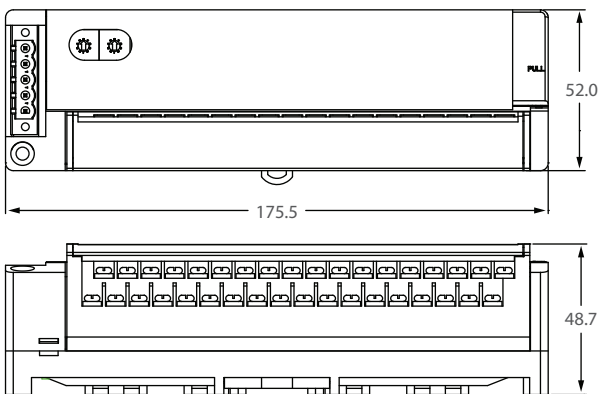
• DS60 Series Catalogs

32-Points BASE	DS60_D32	Base, 24V DC, 32 Universal Input, RTB	DS60_DT16/16	Base, 24V DC, 16 Universal Input/16 Sinking Output, RTB
	DS60_T32	Base, 24V DC, 32 Sinking Output, RTB	-	-
16-Points BASE	DS60_D16(D)*1	Base, 24V DC, 16 Universal Input	DS60_R16	Base, 16 Relay Output, RTB
	DS60_T16(D)*1	Base, 24V DC, 16 Sinking Output	DS60_DT8/8 (D)*1	Base, 24V DC, 8 Universal Input/8 Sourcing Output
	DS60_P16(D)*1	Base, 24V DC, 16 Sourcing Output	DS60_DP8/8 (D)*1	Base, 24V DC, 8 Universal Input/8 Sinking Output
Analog	DS60_ACI	Analog Input, 4CH, Current	DS60_AVI	Analog Input, 4CH, Voltage
	DS60_ACO	Analog Output, 2CH, Current	DS60_AVO	Analog Output, 2CH, Voltage
	DS60_RT4	RTD Input, 4CH	DS60_TC4	Thermocouple Input, 4CH
Expansion	DS60_ED16(D)*1	EXP, 24V DC, 16 Universal Input	DS60_ET16 (D)*1	EXP, 24V DC, 16 Sinking Output
	DS60_EP16(D)*1	EXP, 24V DC, 16 Sourcing Output	DS60_ER8 (D)*1	EXP, 8 Relay Output
	DS60_EDT8(D)*1	EXP, 24V DC, 8 Universal Input/8 Sinking Output	DS60_EDP8/8	EXP, 24V DC, 8 Universal Input/8 Sourcing Output

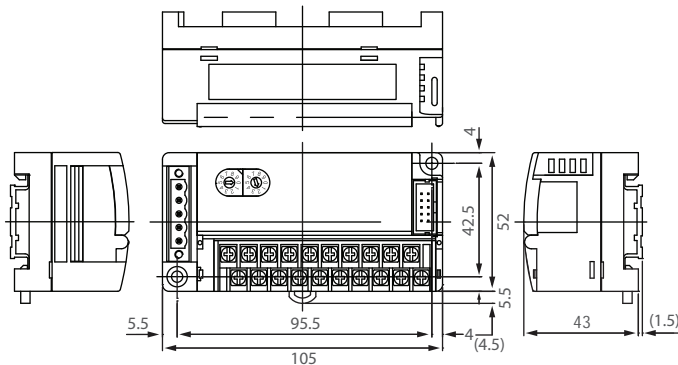
*1 (D) : D-Sub Connector Type

• Dimensions (Unit : mm)

• 32P



• 16P



Hardware Specifications

- DeviceNet Power (base module)
 - Supply Voltage : 24V DC nominal.
 - Voltage Range : 11 ~ 28.8V DC Max.
 - Power dissipation : 1.2W max @ 28.8V DC
- Field Power
 - Supply Voltage : 24V DC nominal.
 - Voltage Range : 10 ~ 28.8V DC Max.
 - Power dissipation : 6mA @ 28.8V DC per point
- Auto Baud Rate Detection
- Very Compact Units Can Fit into Confined Areas
 - 16-Points : 105 x 52 x 43mm (4.1 x 2 x 1.7 in.)
 - 32-Points : 175.5 x 52 x 48.7mm (6.9 x 2 x 1.9 in.)
 - (* The area of 1 module of 32P is smaller than using 2 modules of 16P.)

Software Specifications

- Semiconductor / FPD Equipments
- Electronics
- Material Handling
- Packing
- Automotive
- Metals and Mining
- HVAC
- Cement
- Food and Beverage
- Pharmaceutical/Health Care

Applications

- Rockwell Automation : RSNetwork
- Hilscher : Sycon, Sycon.net

RS Automation Co., Ltd.

RS Automation Building, 38, Jinwisandanro, Jinwi-myeon, Pyeongtaek-si, Gyeonggi-do, Korea, zip code : 17709
T. +82.31.685.9300 F. +82.31.685.9500

RS Automation US LLC.

900, Wigwam parkway Suite 100, Henderson, Nevada, USA, zip code : 89014

www.rsautomation.biz
www.rsautomationusa.com