

Machine I/O DS60 & EC60 Series

High Reliability & Compact Distributed I/O



The perfect distributed IO for DeviceNet and EtherCAT applications within small budget !

- Cost-effective I/O product line for light industrial and commercial automation
- Expandable up to 3 discrete expansion blocks (Max. 80 points)
- Wide breadth of I/O types that can handle diverse applications

DeviceNet is a simple, open networking solution that reduces the cost and time to wire and install industrial automation devices, while providing interchangeability of like components from multiple vendors.

- The EC60 Series allow easy configuration of various solutions control of PC, PLC, and Stand-Alone controller.

• Features

- DeviceNet is a low-cost communication link to connect industrial devices.
- Cost-Effective Distributed IO solution.
- Easy to work with RTB (Removable Terminal Block)
 - DS60 Series : TB (16P), RTB is default (32P)
 - EC60 Series : RTB is default (16P)
- Universal sink and source inputs reduce the number of components to stock and allow flexibility of input types.
- Units are compatible with a broad range of sensors.
- Excellent self-diagnostic function such as status diagnosis of input/output and network.
- Selectable termination types - removable D-shell* and fixed-screw termination- are available.
- Supports 3 expansion units (Max 80 Points)
- For real-time control data exchange in a variety of methods*. (Polling, COS, Cyclic and Strobe)
- Units mount horizontally or vertically on a DIN rail.
- Units are UL/cUL-listed and CE-certified.
- ODVA Certified .

* Only for DS60 Series.

DS60 & EC60 Series

• DS60 Series Catalogs

32 Points DIO Adaptor	DS60-D32	24V dc, 32 universal input base module, RTB	DS60-DT16/16	24V dc, 16 universal input/16 sinking output base module, RTB
	DS60-T32	24V dc, 32 sinking output base module, RTB	-	-
16 Points DIO Adaptor	DS60-D16 (D)*1	24V dc, 16 universal input base module	DS60-R16	16-relay output base module, RTB
	DS60-T16 (D)*1	24V dc, 16 sinking output base module	DS60-DT8/8 (D)*1	24V dc, 8 universal input/8 sourcing output base module
	DS60-P16 (D)*1	24V dc, 16 sourcing output base module	DS60-DP8/8 (D)*1	24V dc, 8 universal input/8 sinking output base module
Analog	DS60-ACI	4-channel analog input current module	DS60-AVI	4-channel analog input voltage module
	DS60-ACO	2-channel analog output current module	DS60-AVO	2-channel analog output voltage module
	DS60-RT4	4-channel input RTD base module	DS60-TC4	4-channel input thermocouple base module
Expansion	DS60-ED16 (D)*1	24V dc, 16 universal input expansion module	DS60-ET16 (D)*1	24V dc, 16 sinking output expansion module
	DS60-EP16 (D)*1	24V dc, 16 sourcing output expansion module	DS60-ER8 (D)*1	8-relay output expansion module
	DS60-EDT8 (D)*1	24V dc, 8 universal input/8 sinking output expansion module	DS60-EDP8/8	24V dc, 8 universal input/8 sourcing output expansion module

*1 (D) : D-Sub Connector Type

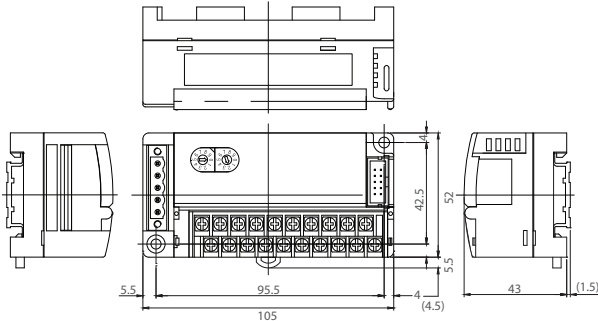
• EC60 Series Catalogs

Digital	EC60-D16	Base, Input Module, DC 24 input 16 Points, RTB	EC60-DT8/8	BASE, Combo Module, DC24V input 8P, TR(NPN) output 8P, RTB
	EC60-T16	Base, Output Module, DC24 output 16 Points, RTB	-	-
Analog	EC60-AV18	Base, Analog Voltage input 8CH, RTB	EC60-RT4	Base, RTD input 4CH, RTB
	EC60-AC18	Base, Analog Current input 8CH, RTB	EC60-TC4	Base, TC input 4CH, RTB
	EC60-AO4	Base, Analog Voltage/Current output 4CH, RTB	-	-

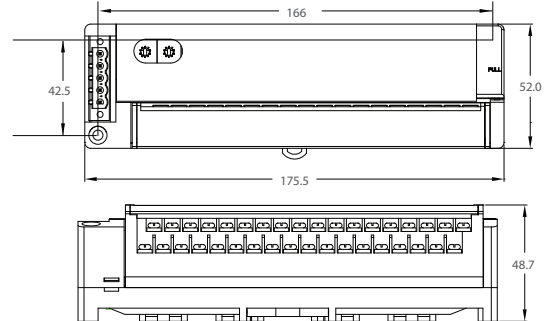
* Expansion modules of DS60 series can be used.

• Dimensions of DS60 & EC60 Series

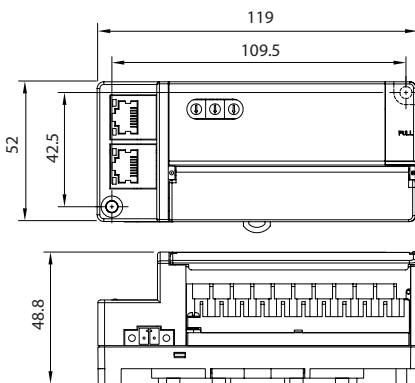
• DS60 Series (16P)



• DS60 Series (32P)



• EC60 Series (16P)



Hardware Specifications

- **DS60 Series**
 - Supply Voltage : 24V DC nominal.
 - DeviceNet Power (base module)
 - Voltage Range : 11 ~ 28.8V DC max
 - Power dissipation : 1.2W max@28.8V dc
 - Field Power
 - Voltage Range : 10 ~ 28.8V DC max
 - Power dissipation : 6mA@28.8V dc per point
 - Auto baud rate detection
 - Very compact units can fit into confined areas
 - 105 x 52 x 43mm (16P)
- **EC60 Series**
 - Supply Voltage : 24V DC nominal.
 - Support of Emergency message, SDO, PDO and etc.
 - Very compact units can fit into confined areas
 - 119 x 52 x 49mm

Applications

- HVAC
- Cement
- Packing
- Metals and Mining
- Food and Beverage
- Semiconductor / FPD Equipments
- Pharmaceutical / Health Care
- Electronics
- Automotive
- Material Handling

Software Specifications

- **DS60 Series**
 - Rockwell Automation RSNetworx
 - Hilscher Sycon, Sycon.net, etc
- **EC60 Series**
 - RS Automation MMC-E Manager
 - Hilscher Sycon.net, etc

RS Automation Co., Ltd.

RS Automation Building, 38, Jinwisandanro, Jinwi-myeon, Pyeongtaek-si, Gyeonggi-do, Korea, zip code : 17709
T. +82.31.685.9300 F. +82.31.685.9500

www.rsautomation.biz