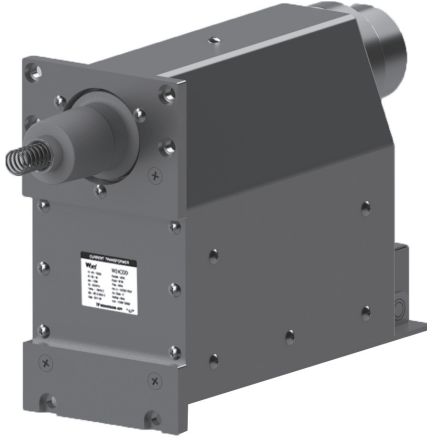


EARTHED TYPE (계기용변압기 / 접지형) VOLTAGE TRANSFORMER (EVT)

12~24(25.8)kV (0~200VA)

W24V1E



EPOXY RESIN CASTING VOLTAGE TRANSFORMERS for highest voltage of equipment up to 24kV

W24V1E 변압기는 최고회로전압 24kV급 절연성능으로 설계되어진 옥내용 에폭시몰드 제품으로 그 이하 전압(12kV, 17.5kV) 제품에 대해서는 동일한 치수(DIMENSION)를 가진다. 안정적인 절연능력 및 전기적 특성을 갖으며, 기계적 안전성과 유지보수의 용이성이 우수한 제품이다.

The W24V1E voltage transformer is an indoor epoxy resin cast product designed in a maximum circuit voltage 24kV-class insulation performance, and has the same dimensions for the less voltage(12.5kV, 17.5kV) product. This has a stable insulation capacity and electrical property, has excellent mechanical safety, and is easy to maintain.

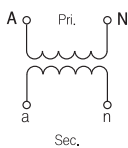
● Feature

규격 Standard	IEC - IEEE - KS etc.
설계 및 적용 Design and Application	<ul style="list-style-type: none"> - 계기 및 보호용 Designed for measuring and/or protection - 퓨즈 내장형 Support Type with Fuse - For GIS
사용조건 Service condition	<p>옥내 Valid for indoor service</p>
작업공정 Working process	<ul style="list-style-type: none"> - 자동진공주형방식 Automatic vacuum casting method - APG방식 Automatic Pressure Gelation method

● Electrical characteristic

ITEM	MODEL		
	W24V1E		
Highest voltage for equipment (Um)	12kV	17.5kV	24kV
Rated power-frequency withstand voltage (60sec)	28kV	38kV	50kV
Rated lighting Impulse withstand voltage (1.2/50μs)/full wave	75kV	95kV	125kV
Rated frequency	50Hz, 60Hz, others on request		
Rated Primary Voltage	$22900/\sqrt{3}V$		
Rated Secondary Voltage	$110/\sqrt{3}V, 190/\sqrt{3}V, 380/\sqrt{3}V$		
Rated Voltage factor	1.2Cont, 1.5/30s, 1.9/30s, 1.9/8h		
Thermal Limit Burden	700VA		
Insulation class (according to IEC 60085)	E		
Standard	According to customer requirements		
Temperature Category	According to customer requirements		
Weight (approx.)	40kg		

● Connection Diagram



Single ratio

EARTHED TYPE (계기용변압기 / 접지형) VOLTAGE TRANSFORMER (EVT)



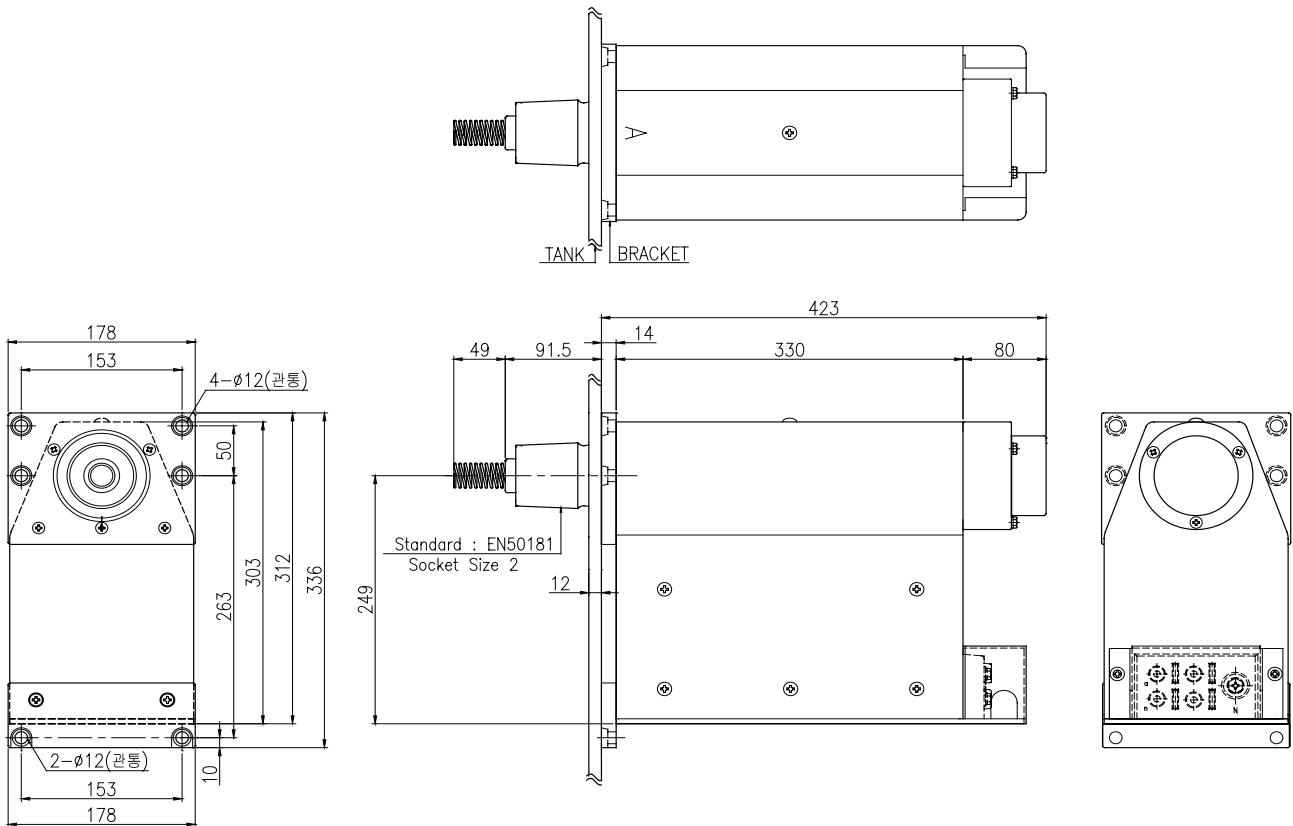
고압계기용변성기

12~24(25.8)kV (0~200VA)

● Specification

Highest voltage for equipment (Um)	Voltage Ratio (V)	IEC 61869-3			IEEE C57.13	
		Voltage Factor	Accuracy Class	Burden (VA)	Burden (VA)	Voltage Factor
24kV	$\frac{22900}{\sqrt{3}} / \frac{190}{\sqrt{3}} (\frac{100}{\sqrt{3}}) V$	1.2Cont 1.9/8h	0.5	50	-	-
				100		
		1	200			

● Dimension



HV / CT
고압변류기

HV / VT · MOF
고압변압기

LV / CT
저압변류기

LV / VT
저압변압기

RELA Y
보호계전기

E L D
누전경보기

G F R
지락계전기

Z C T
영상변류기

M E T E R
지시전계기

S H U N T
선택