

# COMBINED INSTRUMENT TRANSFORMER

## 25.8kV 전력수급용 계기용 변성기 (M.O.F)

25.8kV (25VA x 3)

### W24M1A

EPOXY RESIN CASTING COMBINED CT & VT  
for highest voltage of equipment up to 25.8kV

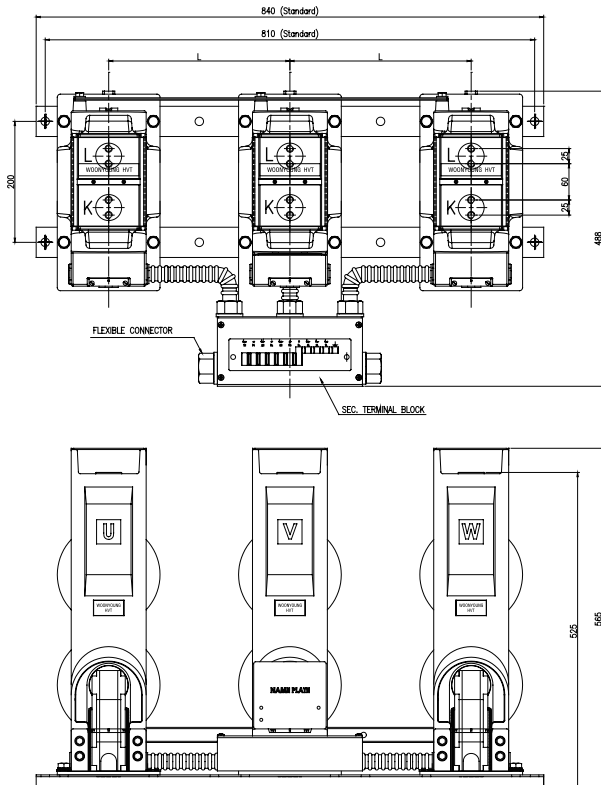


- 규격 (Standard) : KSC1707 – IEC etc.
- 3상 4선식 중심적 접지방식(3P4W, Earthed Neutral System)
- 계기용(Designed for measuring)
- 사용조건(Service condition) : 옥내(Valid for indoor service)
- 작업공정(Working process)
- 자동진공주형방식(Automatic vacuum casting method)

#### ● Specification

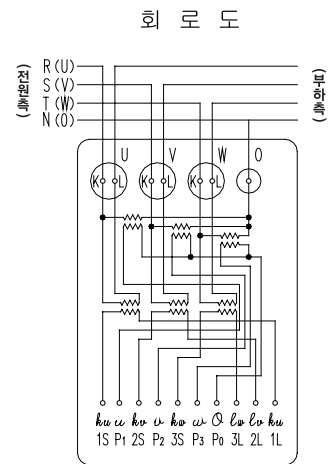
Highest voltage for equipment (Um)	Phase	Ratio		Burden (VA)	Accuracy Class	Rated Voltage Factor	Over Current Factor	Insulation level	Weight (approx.)
		Voltage	Current						
25.8kV	3P 4W	$\frac{22900}{\sqrt{3}} / \frac{190}{\sqrt{3}}$ V	5/5A ~ 15/5A	25VA x 3	0.5W	1.2Vn/cont 1.5Vn/30sec	150In	50/125kV	125kg
			20/5A ~ 50/5A				75In		
			75/5A ~ 250/5A				40In		
			300/5A ~ 1200/5A				40In		

#### ● Dimension



L	200mm	Request
	250mm	Request
	300mm	Standard

#### ● Connection Diagram



# COMBINED INSTRUMENT TRANSFORMER

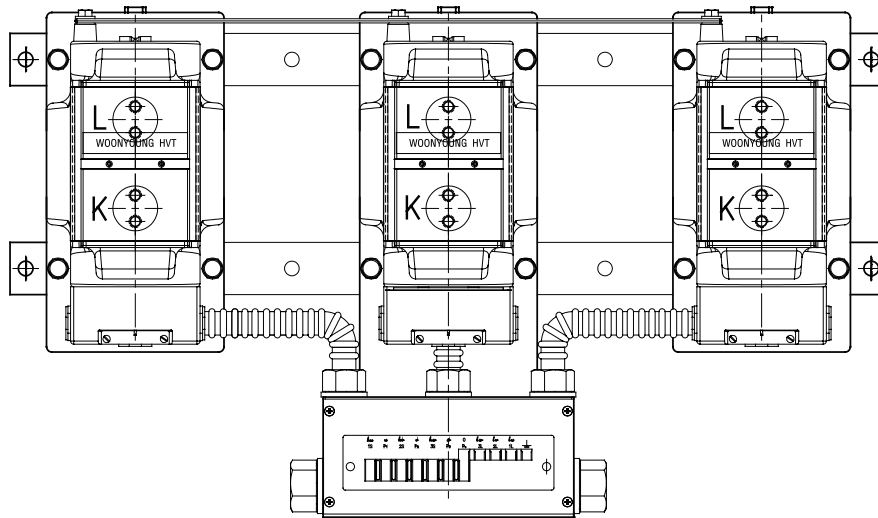
## 25.8kV 전력수급용 계기용 변성기 (M.O.F)



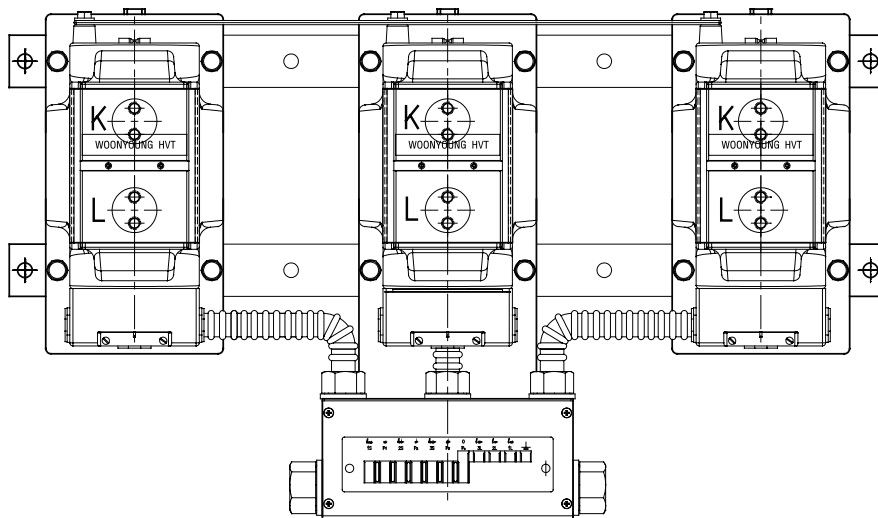
고압계기용변성기

25.8kV (25VA x 3)

W24M1A-K Side (Standard)



W24M1A-L Side (Request)



### ● Voltage & Current Ratio

Voltage Ratio(V)	$22900 / \sqrt{3} / 190 / \sqrt{3} (3P4W)$									
Current Ratio(A)	5/5	10/5	15/5	20/5	30/5	40/5	50/5	75/5	100/5	
	150/5	200/5	300/5	400/5	500/5	600/5	750/5	1000/5	1200/5	

### ● S

Terminal	1S	P1	2S	P2	3S	P3	P0	3L	2L	1L	E
Ter. Color	황색 Yellow	적색 Red	갈색 Brown	백색 White	흑색 Black	청색 Blue	녹색 Green	녹색 Green	녹색 Green	녹색 Green	녹색 Green

- 1S, 2S, 3S 단자는 개방(Open)하지 마십시오. (Do not open the 1S, 2S, and 3S terminals.)
- P1, P2, P3 단자는 단락(Short)을 하지 마십시오. (Do not short the P1, P2, and P3 terminals.)

고압변류기  
HV/CT

고압변압기  
HV/VT·MOF

저압변류기  
LV/CT

저압변압기  
LV/VT

보통계전기  
RELAY

누전경보기  
ELD

지락계전기  
GFR

영상변류기  
ZCT

지시계전기  
METER

셔트  
SHUNT