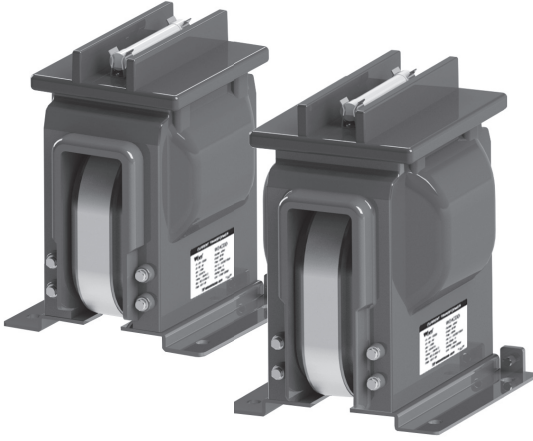


EARTHED TYPE (계기용변압기 / 접지형) VOLTAGE TRANSFORMER (EVT)

3.6~7.2kV (0~200VA)

W07V1A / W07V1B



EPOXY RESIN CASTING VOLTAGE TRANSFORMERS for highest voltage of equipment up to 7.2kV

W07V1A, W07V1B 변압기는 최고회로전압 7.2kV급 절연성능으로 설계되어진 옥내용 에폭시몰드 제품으로 그 이하 전압(3.6kV) 제품에 대해서는 동일한 치수(DIMENSION)를 가진다. 안정적인 절연능력 및 전기적 특성을 갖으며, 기계적 안전성과 유지보수의 용이성이 우수한 제품이다. 또한 단일 또는 다중 탭을 갖는 제품으로 설계 가능합니다.

The W07V1A, W07V1B voltage transformer is an indoor epoxy resin cast product designed in a maximum circuit voltage 7.2kV-class insulation performance, and has the same dimensions for the less voltage(3.6kV) product. This has a stable insulation capacity and electrical property, has excellent mechanical safety, and is easy to maintain. In addition, this can be designed in products with single of multiple taps.

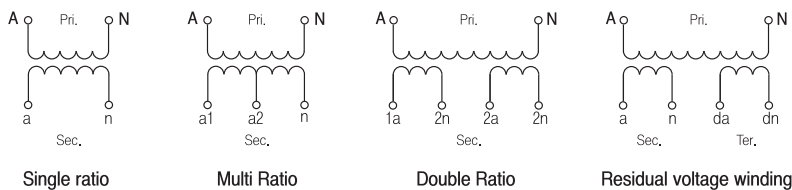
● Feature

규격 Standard	IEC - IEEE - KS etc.
설계 및 적용 Design and Application	계기 및 보호용 Designed for measuring and/ or protection
사용조건 Service condition	옥내 Valid for indoor service
작업공정 Working process	- 자동진공주형방식 Automatic vacuum casting method - APG방식 Automatic Pressure Gelation method

● Electrical characteristic

ITEM	MODEL	
	W07V1A / W07V1B	
Highest voltage for equipment (Um)	3.6kV	7.2kV
Rated power-frequency withstand voltage (60sec)	10kV	20kV
Rated lighting Impulse withstand voltage (1.2/50 μ s)/full wave	40kV	60kV
Rated frequency	50Hz, 60Hz, others on request	
Rated Primary Voltage	3300/ $\sqrt{3}$ V, 6600/ $\sqrt{3}$ V	
Rated Secondary Voltage	110/ $\sqrt{3}$ V, 190/ $\sqrt{3}$ V	
Rated Voltage factor	1.2Cont, 1.5/30s, 1.9/30s, 1.9/8h	
Thermal Limit Burden	700VA	
Insulation class (according to IEC 60085)	E	
Standard	According to customer requirements	
Temperature Category	According to customer requirements	
Weight (approx.)	16kg	

● Connection Diagram



EARTHED TYPE (계기용변압기 / 접지형) VOLTAGE TRANSFORMER (EVT)

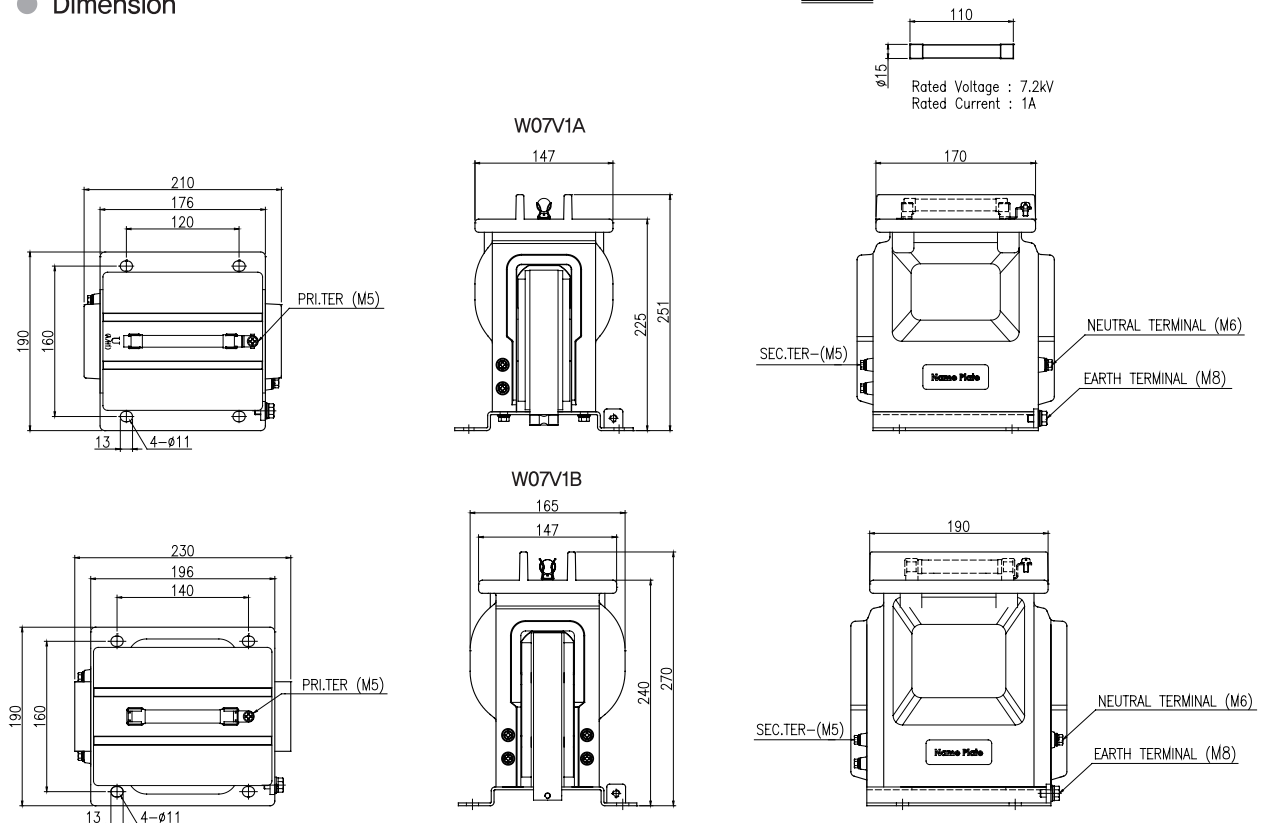
3.6~7.2kV (0~200VA)

● Specification

ITEM	Highest voltage for equipment (Um)	Voltage Ratio (V)	IEC 61869-3			IEEE C57.13	
			Accuracy Class	Burden (VA)	Voltage Factor	Accuracy Class	Burden (VA)
W07V1A	3.6kV	$\frac{3300}{\sqrt{3}} / \frac{110}{\sqrt{3}}$	0.2	20	1.2Con't	0.3	M
			0.5	50	1.5/30s		
			1.0	100			
	7.2kV	$\frac{6600}{\sqrt{3}} / \frac{110}{\sqrt{3}}$	0.2	15	1.2Con't	0.6	Y
			0.5	50	1.9/8h		
			1.0	100			
W07V1B	3.6kV	$\frac{3300}{\sqrt{3}} / \frac{110}{\sqrt{3}} / \frac{190}{3}$	0.2/3P	20/200	1.2Con't	-	-
			0.5/3P	50/200	1.5/30s		
			1.0/3P	100/200			
	7.2kV	$\frac{6600}{\sqrt{3}} / \frac{110}{\sqrt{3}} / \frac{190}{3}$	0.2/3P	15/200	1.2Con't	-	-
			0.5/3P	50/200	1.9/8h		
			1.0/3P	100/200			
W07V1B	3.6kV	$\frac{3300}{\sqrt{3}} / \frac{110}{\sqrt{3}}$	0.2	30	1.2Con't	0.3	M
			0.5	100	1.5/30s		
			1.0	200			
	7.2kV	$\frac{6600}{\sqrt{3}} / \frac{110}{\sqrt{3}}$	0.2	25	1.2Con't	0.6	Y
			0.5	100	1.9/8h		
			1.0	200			
W07V1B	3.6kV	$\frac{3300}{\sqrt{3}} / \frac{110}{\sqrt{3}} / \frac{190}{3}$	0.2/3P	30/200	1.2Con't	-	-
			0.5/3P	100/500	1.5/30s		
			1.0/3P	200/500			
	7.2kV	$\frac{6600}{\sqrt{3}} / \frac{110}{\sqrt{3}} / \frac{190}{3}$	0.2/3P	25/200	1.2Con't	-	-
			0.5/3P	100/500	1.9/8h		
			1.0/3P	200/500			

● Dimension

* FUSE



HV / C T 고압변류기
HV / VT - MO F 고압변압기
LV / C T 저압변류기
LV / VT 저압변압기
RE L A Y 보충계전기
E L D 누전경보기
G F R 지락계전기
Z C T 영상변류기
M E T E R 지시전기계기
S H U N T 셉트